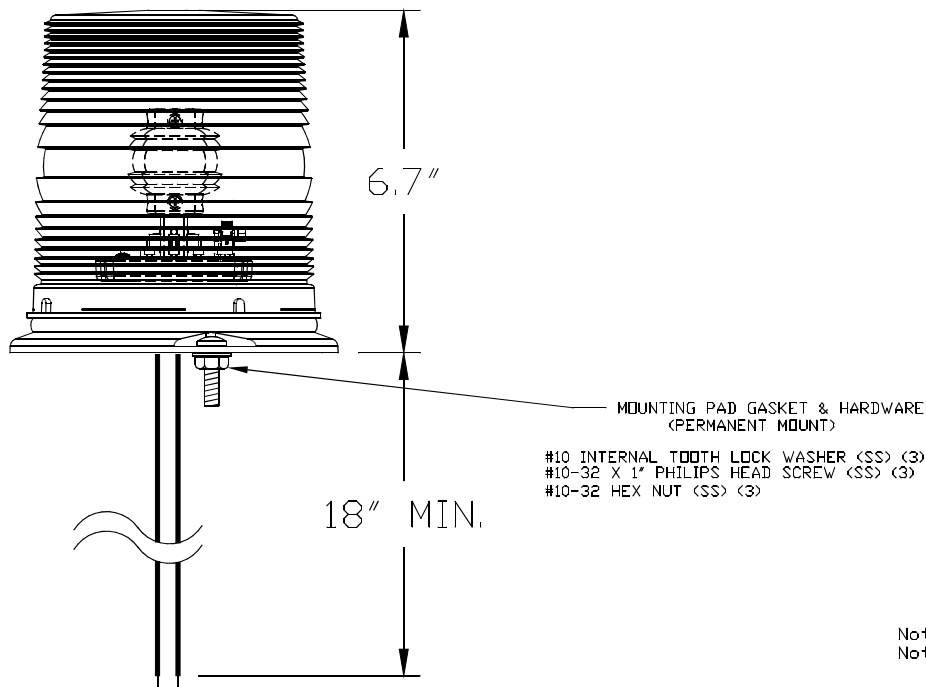
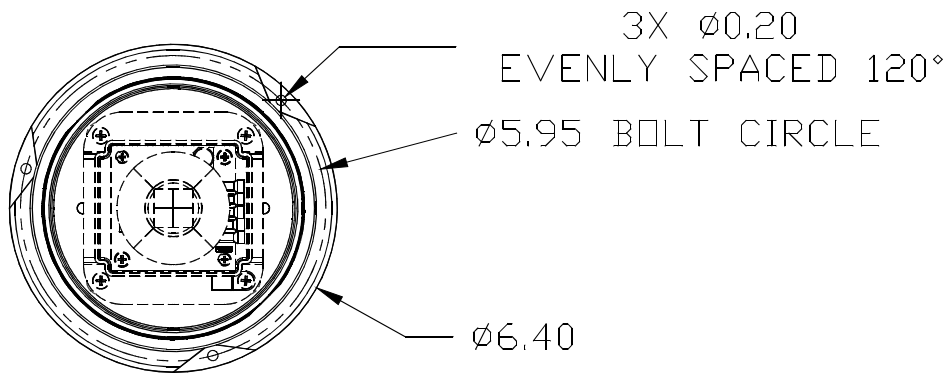


REV.	ECR	DESCRIPTION	DATE
—	15187	INITIAL DRAWING REQUEST	04/18/18
A	17352	UPDATED SAE MARKINGS	06/29/2020



18 GA RED WIRE (+10-30 VDC)
18 GA BLACK WIRE (-GROUND)

SPECIFICATIONS:

Typical Input Voltage Range: 9-32 VDC
Typical Current Draw (4 LED Module): 12.8VDC=0.60A/ 25.6VDC=0.30A

Typical Light Output (4 Cool White LED Module): 1139 lm(pk)
Typical Light Output (4 Warm White LED Module): 937 lm(pk)

Lumen maintenance: 85% lumen after 100,000 hours of operation
Ambient light sensor for day/night high power/low power mode
Low power reduced to 28%

Operating Temperature Range: -40C to 55C
Connections: 18 inch (min.) wires exiting the unit.
Permanent Mounting Type 1: 3 Hole Pattern 5-61/64" BC
Permanent Mounting Type 2: 1 inch NPT

Dimensions: (Tall Dome): 6-11/16" tall x 6-13/32" dia.

Materials: Outer Dome: Polycarbonate
Inner Optics: Polycarbonate
Base: Polycarbonate
Heatsink Materials: Aluminum
Mounting Gasket: EPDM Foam Rubber

Model Numbers / Descriptions

255HTC-A: SAE Class I (Day Mode Only), Ultra High Intensity LEDs, 3 Hole Permanent mount,
4 Warm White LEDs, tall Amber dome

255HTC-C: SAE Class I (Day Mode Only), Ultra High Intensity LEDs, 3 Hole Permanent mount,
4 Cool White LEDs, tall Clear dome

Note 1: All specifications based on Quad Flash Pattern.
Note 2: All Light output specifications are of the internal light module acting alone.

UNLESS OTHERWISE SPECIFIED DIMENSIONS ARE IN INCHES TOLERANCES: ANGULAR: ± 2 DEG. ± .X .100 ± .XX .020 ± .XXX .005 ± .XXXX .001	DRAWN BY: MD	STAR HEADLIGHT & LANTERN CO., INC. 455 Rochester St. Avon NY 14414 Ph:(585) 226-9500 Fax: (585) 226-2029	
	DRAWING APPROVED BY ECR		
RoHS COMPLIANT: No	THE INFORMATION CONTAINED IN THIS DRAWING IS THE SOLE PROPERTY OF STAR HEADLIGHT & LANTERN CO., INC. ANY REPRODUCTION IN PART OR AS A WHOLE WITHOUT THE WRITTEN PERMISSION OF STAR HEADLIGHT & LANTERN CO., INC. IS STRICTLY PROHIBITED.	MODEL: 255HTC-*	
MATERIAL: N/A		TITLE: MODEL DRAWING	
FINISH: N/A	DWG. NO. 255HTC	REV A	
	SCALE: 1:2	DO NOT SCALE FROM DRAWING	SHEET 1 OF 1